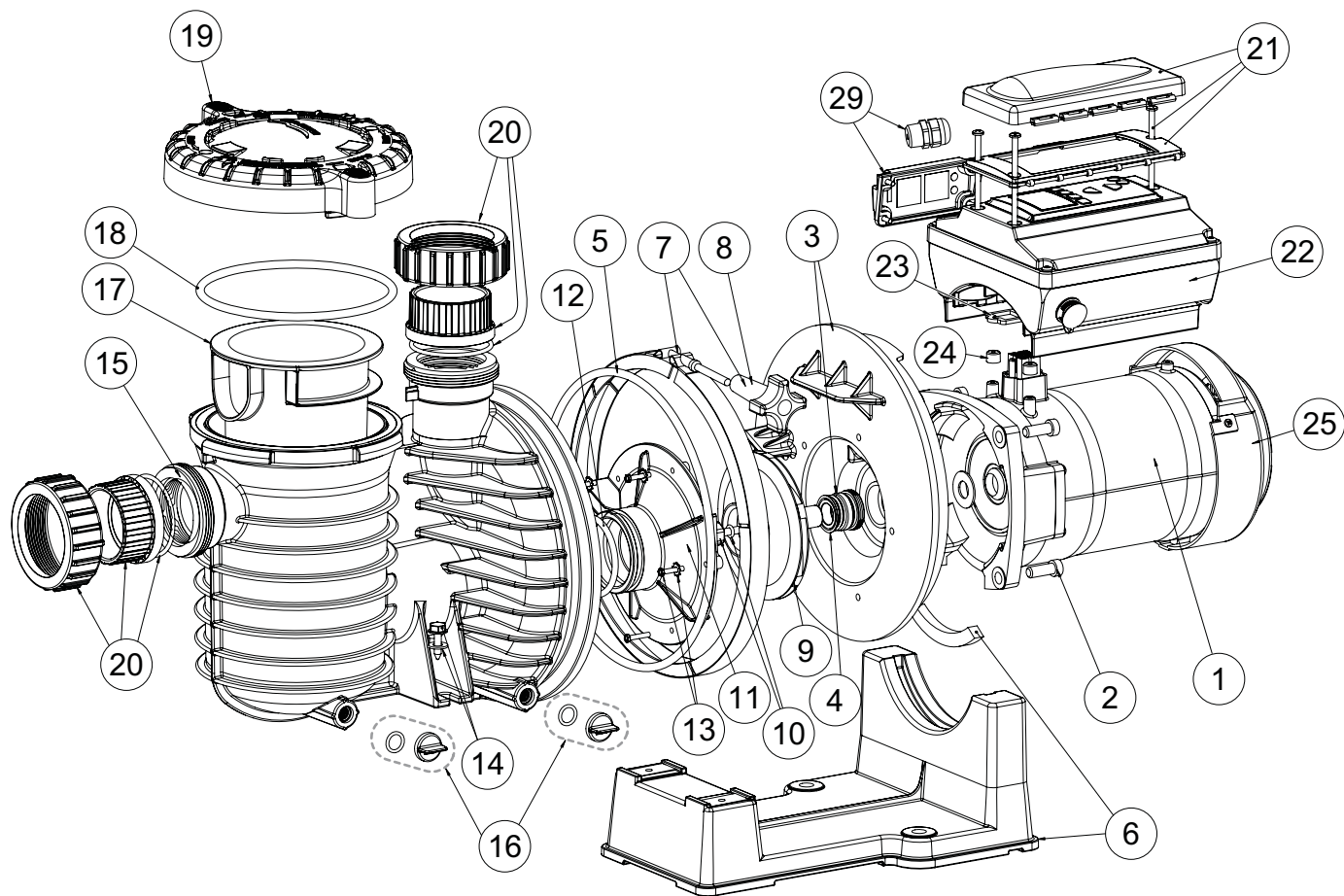


INTELLIFLO® SW5P6R-VS™ Replacement Parts

- Filters
- Filtration systems
- Valves
- Pumps
- Motors
- Cleaners



INTELLIFLO[®] SW5P6R-VS[™] Replacement Parts

No.	Part No.	Description	Part No. Includes*
1	R357294	Intelli VFD Motor	1
2	RU3074SS	Screw	4
3	RC103194PSSG	Seal Plate	1
4	RU9358SW	Mechanical Seal	1
5	R39006000	O-Ring	1
6	RC479P	Base	1
7	RC1937A	Clamp Assembly	1
8	RWC3622	Clamp Knob	1
9	RC105238PLBAS	Impeller	1
10	R373376080	Impeller Lock Screw	1
11	RC1271PSS	Diffuser	1
12	RU9374	O-Ring	1
13	RU30922SS	Bolts & Washers	5
14	RU30918SS	Screw	2
15	R173070110W	Pump Body Assembly (includes PN's 16, 17, 18 & 19)	1
16	RU178920P	Drain Plugs	2
17	RC858P	Basket	1
18	R355051440	O-Ring	1
19	R173070111S	Lid & Lock Assembly	1
20	RPKG188W	Slip Union Kit	2
21	R357290	Control Cover Assembly	1
22	R351521	Variable Speed CE Drive	1
23	R350108	Gasket	1
24	R350142	Spacer Cap	3
25	R352501	Fan & Shroud	1
26	353310	Cover Assembly	1
	PP6000SW	Seal Set (PN's 4, 5, 12, 18)	

* PART NUMBER INCLUDES REQUIRED QUANTITY PER PRODUCT

Rev. 08/2010