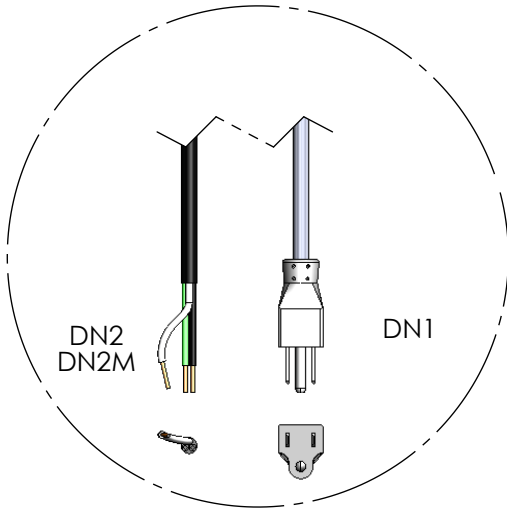
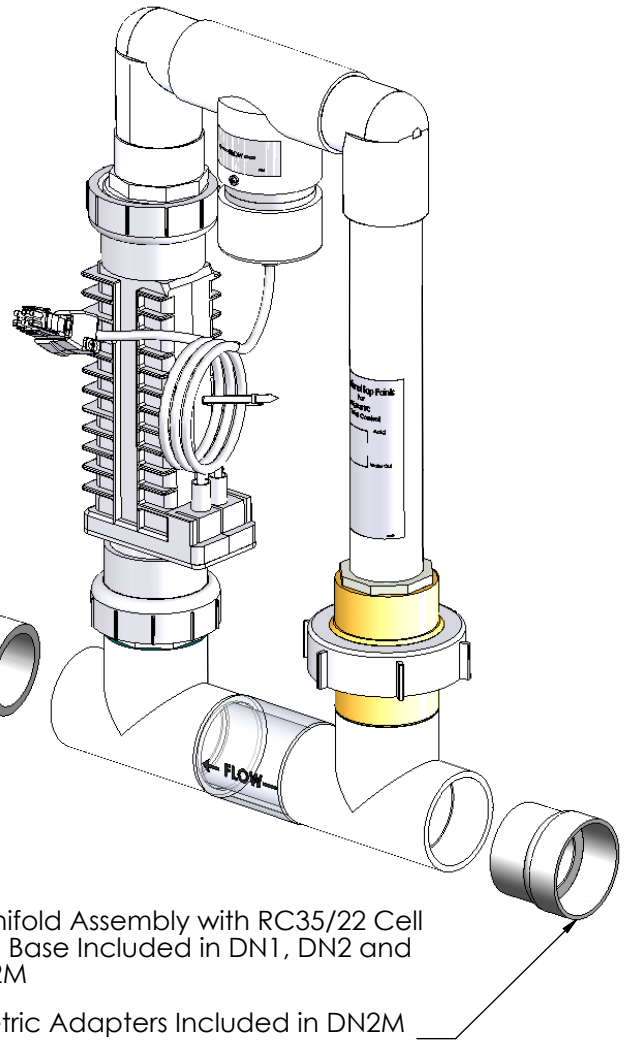
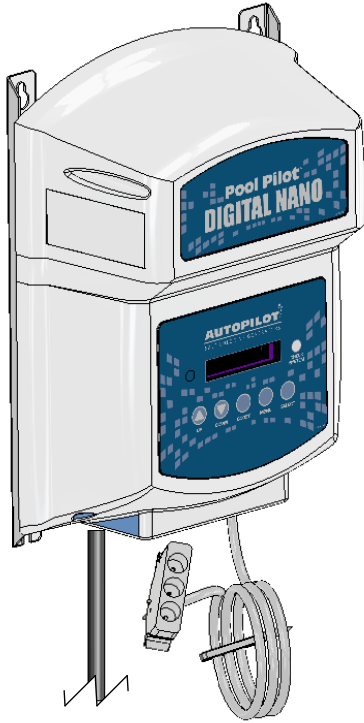


DIGITAL NANO SYSTEMS

Digital Nano

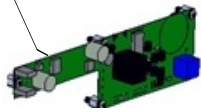


PART #	DESCRIPTION
DN1	Digital Nano, 115V with 94105 Manifold, Eng, Esp, Fra, Ger, Ita, Ces Languages
DN2	Digital Nano, 220V with 94105 Manifold, Eng, Esp, Fra, Ger, Ita, Ces Languages
DN2M	Digital Nano, 220V CE with 94105M Manifold and Metric Adapters Eng, Esp, Fra, Ger, Ita, Ces Languages

Digital Nano

DIGITAL NANO Power Supply Parts

STK0156:
Kit for Nano Expansion Board:
See pg. 48 for parts breakdown



STK0065:
Nano Transformer
Replacement
with Mounting Screws

STK0061B:
Nano Power Supply
Board Replacement

- Includes:
- *CBP0001G Main Board Assy with 2 Amp Fuse
 - 15619 Fuse 2A, 3AG, 250VAC (Installed-use for 110V)
 - 15611 Fuse 1A, 3AG, 250VAC (Spare-use for 220V)
 - *15486 HDW Screw #6-32 x 5/16 (4)
 - STK0066 Nano/Nano+ Wire and Cable Replacement

STK0163:
Digital Interface
Board
(841-3A)

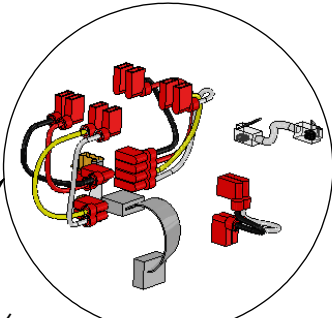
15619:
(Use for 110V) Fuse 2A,3AG,250VAC
or
15611:
(Use for 220V) Fuse 1A,3AG,250VAC

STK0159:
Nano/Nano+ Display PC Board
Replacement Kit

- Includes:
- *841-2C Nano Display ECP0063 Modular Cable 12"
 - or
 - **STK0091-CZECH
 - Includes:
 - *841-2A-CZECH Nano Display Czech ECP0063 Modular Cable 12"

STK0090:
Nano Cover Replacement Kit

- Includes:
- *PCP0150 Molded Cover for Nano
 - *LBP0109 Label,Nano Cover Control
 - *LBP0108 Label,Nano Cover Top
 - *GKP0013 O-Ring Cord 3.5mm
 - *15403 HDW Screw #6-32 x 3/4 (4)
 - *GKP0111 O-Ring B1000-006 (4)

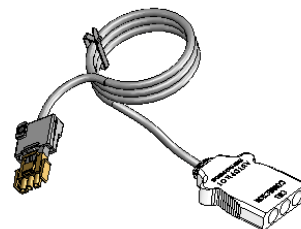


STK0066:
Nano/Nano+ Wire and Cable Replacement Kit

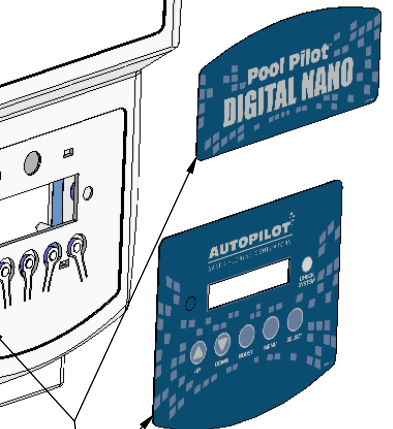
- Includes:
- *04AK1800404 Wire Assy 18 AWG, UL1007 Black (2)
 - *04AW1800404 Wire Assy 18 AWG, UL1007 White (2)
 - *04AR1800404 Wire Assy 18 AWG, UL1007 Red (2)
 - *04AY1800404 Wire Assy 18 AWG, UL1007 Yellow (2)
 - *20007 Ribbon Cable 10 CCT (1)
 - ECP0063 Modular Cable 12" (1)

*Cannot be ordered separately
**For DN2M-CZECH *

952:
Cell Cord 12 ft with 3 Pin
MATE-N-LOK Connector Inc
with DN1, DN2 and DN2M or
952-24:
Cell Cord 24 ft

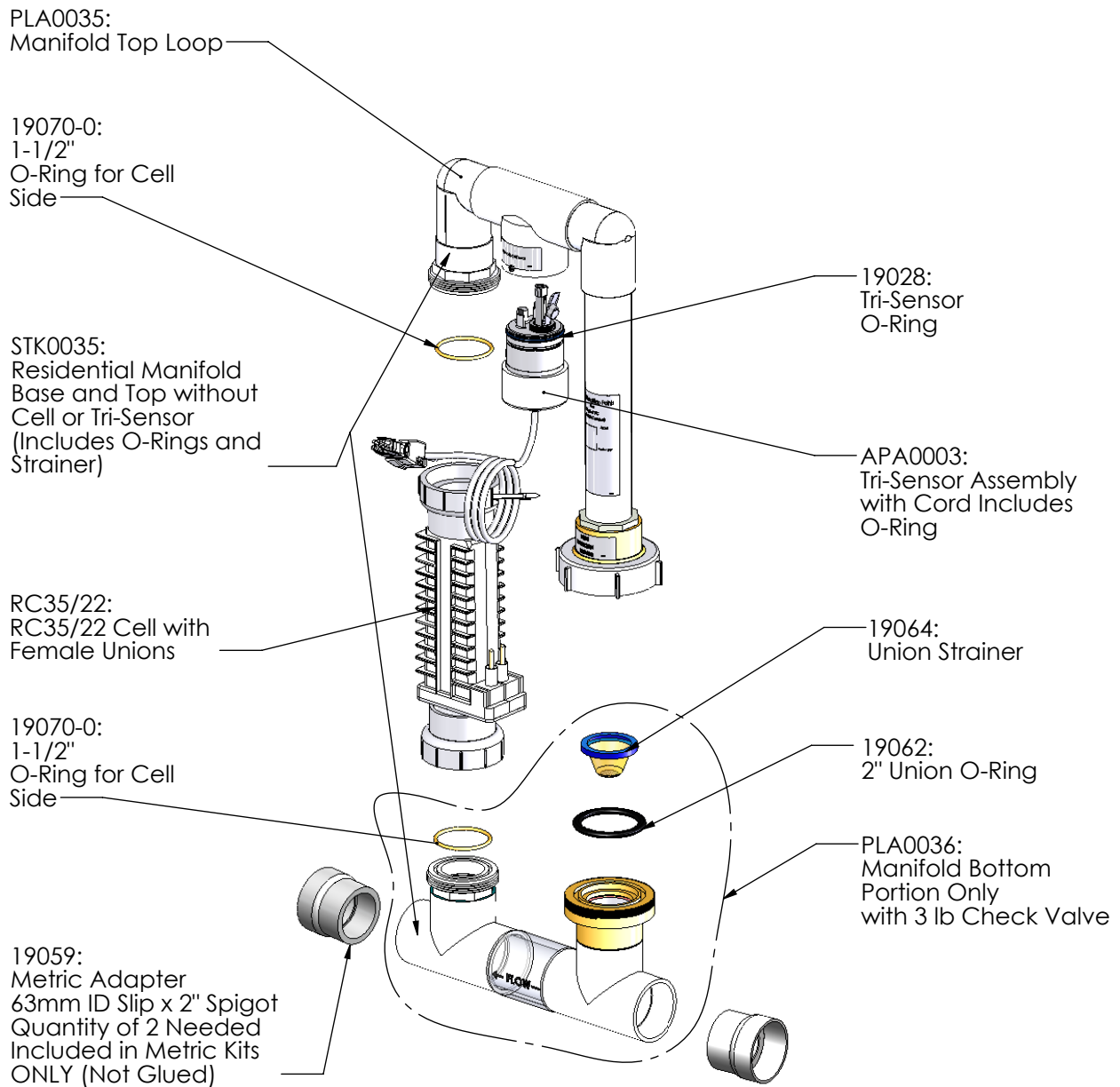


19050:
Red Protective Cap



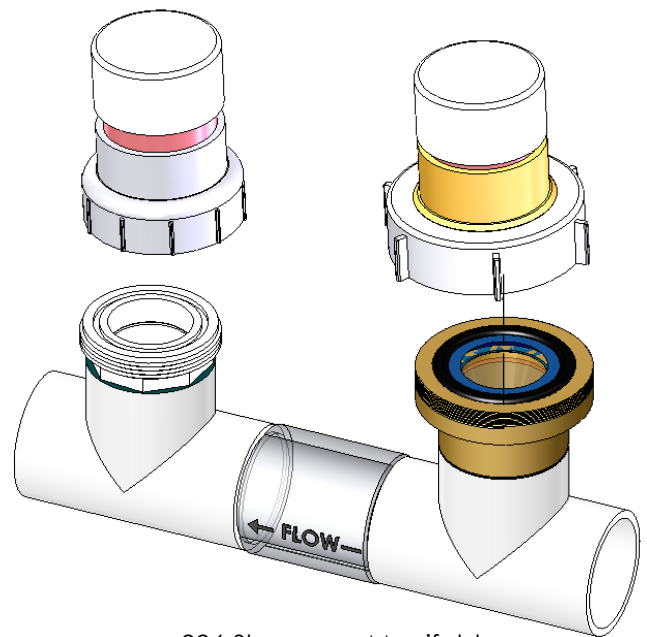
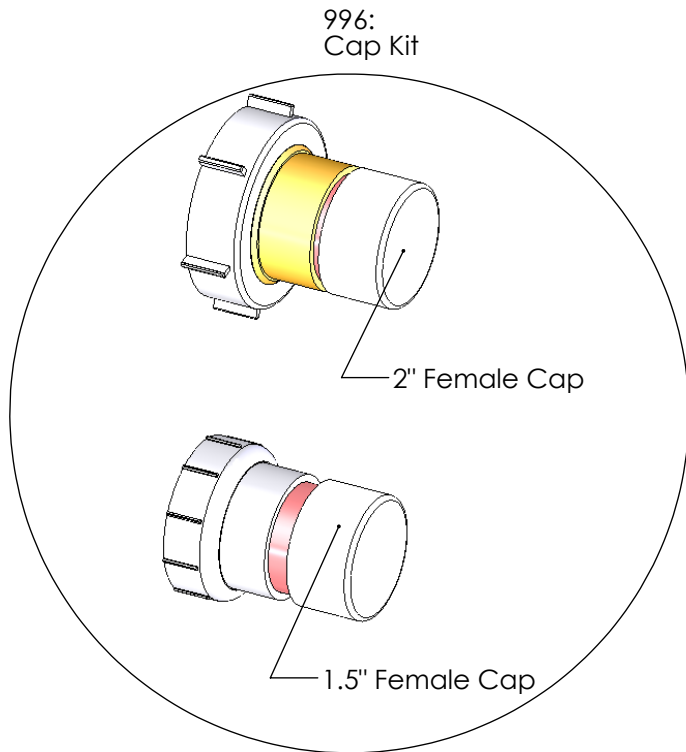
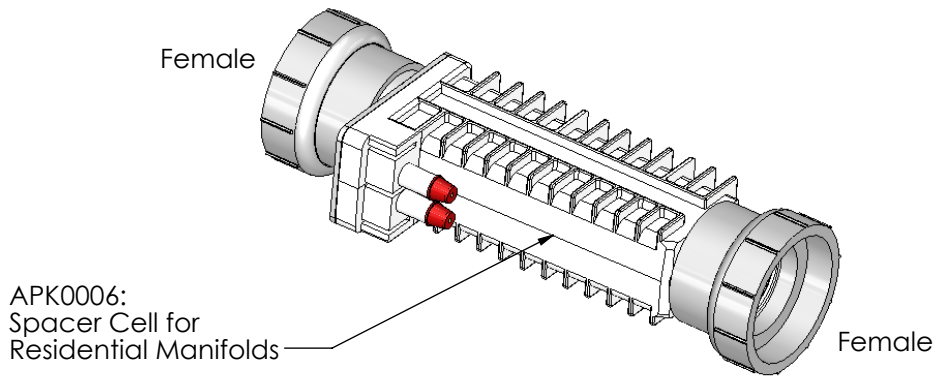
SINGLE SYSTEM MANIFOLDS

Digital Nano

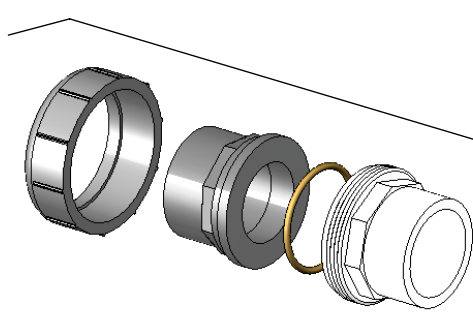


PART #	DESCRIPTION
94105	Manifold Assy with RC35/22 Cell
94105M	Manifold Assy with RC35/22 Cell and Metric Adapters

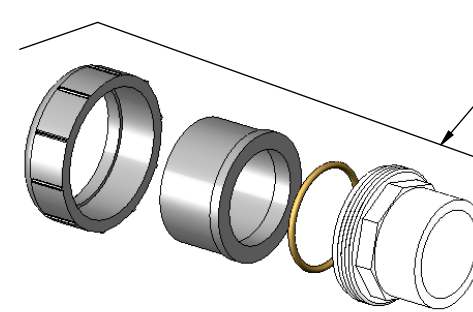
Digital Nano MANIFOLD ACCESSORIES/TOOLS



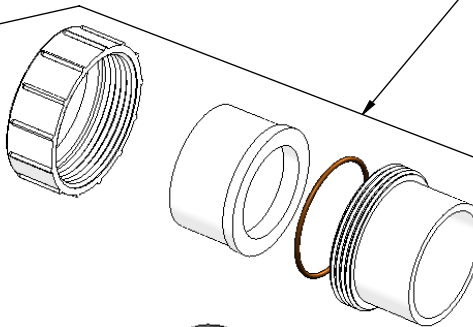
MANIFOLD ACCESSORIES/TOOLS Digital Nano



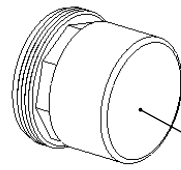
19073:
Union Kit
Includes:
312-A Union Nut
312-F Union Half, 2" Spigot/1.5" Slip X Female Union
19070-0 1-1/2" O-Ring
312-C Union Half, 1.5" Slip/2" Spigot x Male Thread Union



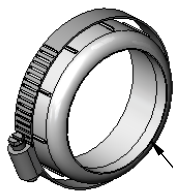
19070:
Union Kit
Includes:
312-A Union Nut
312-B Union Half, 2" Slip x Female Union
19070-0 1-1/2" O-Ring
312-C Union Half, 1.5" Slip/2" Spigot x Male Thread Union



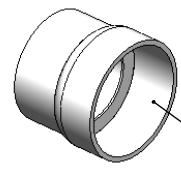
PLS2627:
Union Kit
Includes:
312-A Union Nut
312-B Union Half, 2" Slip x Female Union
312-D Union Half, 2" Slip x Male Thread Union (with O-Ring 19069-0)
or
PLS0001:
Union Kit-Pack of 10 PLS2627



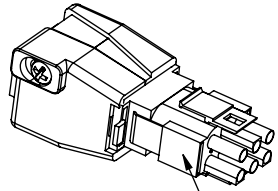
PLA0113:
Cell Cleaning
Kit (Male)



STK0048:
Cracked Union Nut
Service Kit



19059:
Metric Adapter
63mm ID Slip x 2" Spigot
Quantity of 2 Needed
Included in Metric Kits
ONLY (Not Glued)



986-ST:
Tri-Sensor Simulator
(Simulates APA0003)