

BOOST-RITE® Replacement Parts

Filters

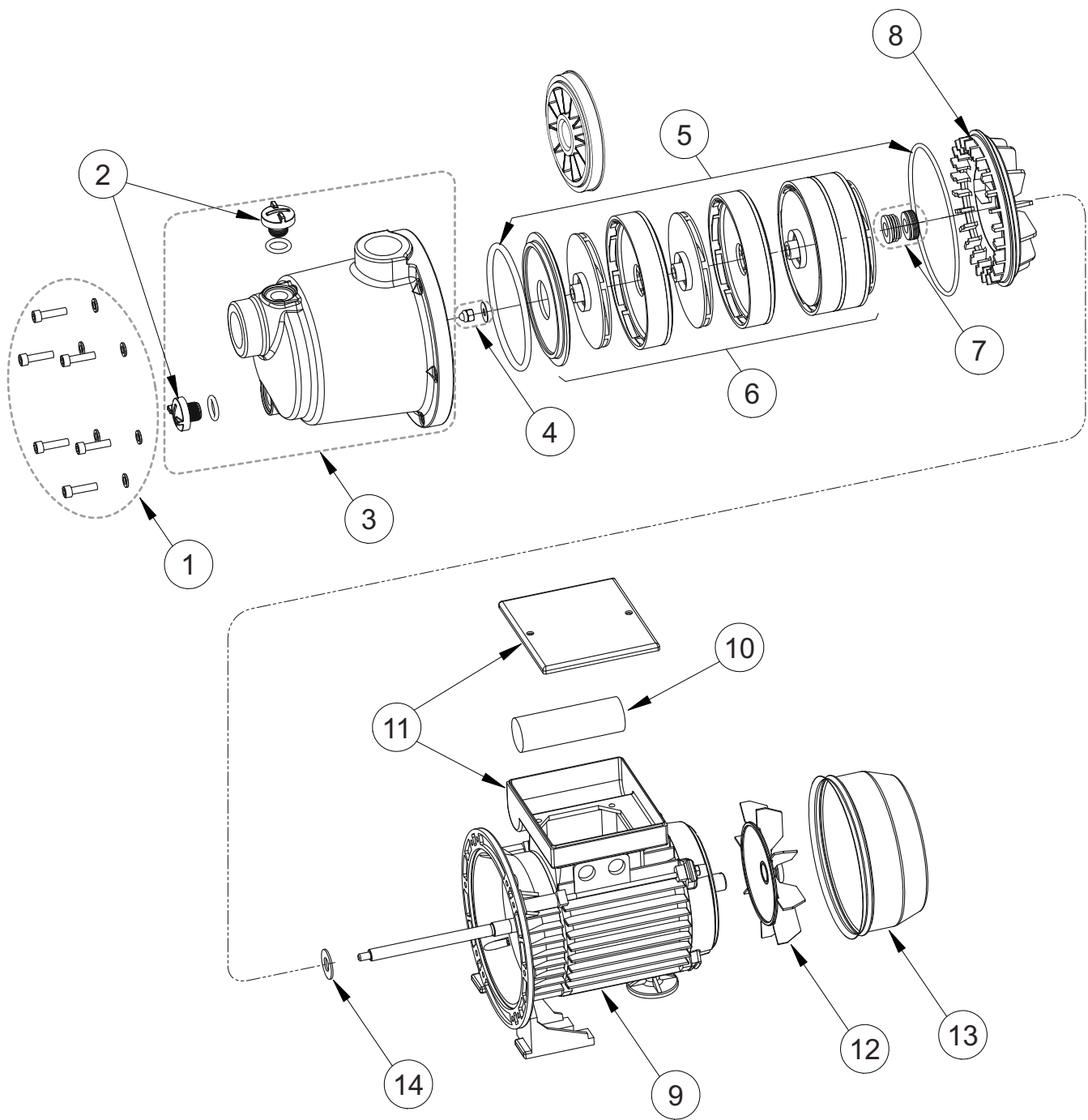
Filtration systems

Valves

Pumps

Motors

Cleaners



BOOST-RITE®

Replacement Parts

No.	Part No.	Description	Part No.	Includes*
1	ZBR12170	Fastener Bolts		6
2	ZBR12160	Drain Plug and O-Ring		2
3	ZBR12150	Pump Body (Incl. Drain Plugs)		1
4	ZBR12270	End Shaft Fastener Kit		1
5	ZBR12200	O-Ring Kit		2
6	ZBR12250	Hydraulic Stack S4P100M		1
	ZBR12180	Hydraulic Stack S5P150M		1
7	ZBR12190	Mechanical Seal		1
8	ZBR12210	Seal Plate Kit		1
9	ZBR12260	Motor Assembly S4P100M		1
	ZBR12220	Motor Assembly S5P150M		1
10	ZBR20360	Capacitor 12,5µF 450V - S4P100M		1
	ZBR20380	Capacitor 20µF 450V - S5P150M		1
11	ZBR20440	Capacitor Box Complete		1
12	R102P0560	Cooling Fan S4P100M		1
	R102P0570	Cooling Fan S5P150M		1
13	R721S1030	Fan Cover S4P100M		1
	R721S1090	Fan Cover S5P150M		1
14	R102P0540	Waterslinger		1

* PART NUMBER INCLUDES REQUIRED QUANTITY PER PRODUCT

Rev. 08/2010